

ANSI/CTA Standard

DTV 1394 Interface Specification

ANSI/CTA-775-C R-2013

(Formerly ANSI/CEA-775-C R-2013)

September 2008



**Consumer
Technology
Association**

NOTICE

Consumer Technology Association (CTA)TM Standards, Bulletins and other technical publications are designed to serve the public interest through eliminating misunderstandings between manufacturers and purchasers, facilitating interchangeability and improvement of products, and assisting the purchaser in selecting and obtaining with minimum delay the proper product for his particular need. Existence of such Standards, Bulletins and other technical publications shall not in any respect preclude any member or nonmember of the Consumer Technology Association from manufacturing or selling products not conforming to such Standards, Bulletins or other technical publications, nor shall the existence of such Standards, Bulletins and other technical publications preclude their voluntary use by those other than Consumer Technology Association members, whether the standard is to be used either domestically or internationally.

Standards, Bulletins and other technical publications are adopted by the Consumer Technology Association in accordance with the American National Standards Institute (ANSI) patent policy. By such action, the Consumer Technology Association does not assume any liability to any patent owner, nor does it assume any obligation whatever to parties adopting the Standard, Bulletin or other technical publication.

This document does not purport to address all safety problems associated with its use or all applicable regulatory requirements. It is the responsibility of the user of this document to establish appropriate safety and health practices and to determine the applicability of regulatory limitations before its use.

This document is copyrighted by the Consumer Technology Association and may not be reproduced, in whole or part, without written permission. Federal copyright law prohibits unauthorized reproduction of this document by any means. Organizations may obtain permission to reproduce a limited number of copies by entering into a license agreement. Requests to reproduce text, data, charts, figures or other material should be made to the Consumer Technology Association.

(Formulated under the cognizance of the CTA **R4.8 DTV Interface Subcommittee**.)

Published by
©CONSUMER TECHNOLOGY ASSOCIATION 2015
Technology & Standards Department
www.CTA.tech

All rights reserved

Contents

1 Scope 1	1
1.1 Background.....	1
2 References.....	4
2.1 Normative References.....	4
2.1.1 Normative Reference List	4
2.1.2 Normative Reference Acquisition.....	5
2.2 Informative References.....	6
2.2.1 Informative Reference List	6
2.2.2 Informative Reference Acquisition.....	6
3 Definitions.....	6
4 Symbols and Abbreviations.....	8
5 Compliance Notation	8
6 System Overview	9
6.1 Digital TV Video Processing.....	9
6.2 On-Screen Display.....	9
6.2.1 Analog OSD.....	9
6.2.2 Digital OSD.....	9
6.2.2.1 OSD Delivery	9
6.2.2.2 OSD Transmission.....	10
6.2.2.3 DTV OSD Processing.....	10
6.3 Discovery of Capability	10
6.4 User-Machine Control	10
7 Miscellaneous Requirements	10
7.1 Digital Interface Physical layer.....	10
7.2 Digital Interface Link layer.....	10
7.3 Digital Interface Transaction layer.....	10
7.4 Serial Bus Management	11
7.5 Command and Status Registers	11
7.5.1 CSR Core Registers	11
7.5.2 Serial Bus Node Registers	11
7.5.3 Configuration ROM Requirements	11
7.5.3.1 IEC 61883 Unit directory.....	11
7.5.3.2 CEA Unit Directory.....	11
7.6 Real Time Transmission of MPEG-2 Transport Streams.....	11
7.7 Isochronous Data Flow Management.....	11
7.8 Connection Management Procedures (CMP)	11
7.8.1 Isochronous Connection Procedures	11
7.9 Asynchronous Connection Management	12
7.10 Function Control Protocol (FCP)	12
7.11 External Jack Selection	12
7.12 Content Advisory Information.....	13
7.13 Content Protection	13
8 Delivery of OSD Data	13
8.1 Introduction.....	14
8.2 Data Transfers	14
8.3 Data Access Constraints	14
8.4 Asynchronous Plug Components.....	14
8.5 Flow Control Registers	14

8.5.1 iAPR Format.....	14
8.5.1.1 iAPR.modes Values	15
8.5.2 oAPR Format.....	15
8.5.2.1 oAPR.modes Values	15
8.6 Asynchronous Communications	15
8.6.1 Suspended Connection	15
8.6.2 Suspend/Resume Asynchronous Connections States	15
8.6.3 Heartbeat Indications	15
8.7 Frame and Subframe Format.....	15
8.8 AV/C Managed Connection Sequences	15
8.9 AV/C Connection Management Commands	16
8.9.1 Reserved command frame fields	16
8.9.2 Command Frames	16
8.9.3 Command Frame Values	16
8.10 AV/C Connection Command Format	18
8.10.1 ALLOCATE_ATTACH	18
8.10.2 DETACH_RELEASE	18
8.10.3 RESTORE_PORT	18
8.10.4 STATUS Command	18
9 AV/C Command Set Support	18
9.1 AV/C General Commands	18
9.2 AV/C Asynchronous Connection Subfunctions.....	19
10 OSD Data.....	19
10.1 OSD Subframes	19
10.2 Alignment of OSD with video	19
10.3 Behavior of System during Attach.....	19
10.4 Behavior of System during Suspend / Resume	19
11 Isochronous Data.....	20
11.1 Service Selection	20
11.2 MPEG-2 Transport Streams.....	21
11.2.1 Source Alteration of MPEG Programs	22
11.2.2 Non-MPEG Transport.....	22
11.2.3 MPEG Stills	22
11.3 DV Streams.....	22
12 Discovery Information	22
12.1 IEEE 1212 Configuration ROM	22
12.1.1 EUI_64.....	23
12.1.2 Bus Information Block	23
12.1.3 Root Directory.....	23
12.1.4 Unit Directory.....	24
12.1.4.1 Unit Directory (IEC 61883-1)	24
12.1.4.2 Unit Directory (CEA-775-C).....	25
12.1.5 Vendor Directory	25
12.2 Configuration ROM Discovery	25
12.2.1 General Purpose Information.....	26
12.2.2 Model Information	26
12.2.3 CEA-775 Unit Directory Information.....	26
12.3 Unit Identifier Descriptor	26
12.3.1 General unit identifier descriptor	29
12.3.2 Unit dependent information	29
12.3.3 Unit Info Blocks	30
12.3.4 CEA-775 plug info	31
12.3.5 CEA 775 DTV Info	33

CEA Profile A	35
12.3.6 CEA-775 External Jack Plug Info	43
12.3.6.1 External Jack Type Specific Data — Input Plug	44
12.3.6.2 External Jack Type Specific Data - Output Plug	48
12.3.6.3 External Jack Type Specific Data – Single Input Plug and Single Output Plug	48
12.3.7 Minimum descriptor definition for DTV	50
Annex A Operational Scenarios (Informative)	56
A.1 User-Machine Control	56
A.2 DTV Control	56
A.3 STB OSD Control	56
A.4 STB Operational Control	56
A.5 Program a Timed Recording Event on a DVCR using an Internal Tuner	56
A.6 Program a Timed Recording Event on a DVCR using an External Tuner	56
A.7 Recording a Program Received on a STB while being Displayed on the DTV	57
Annex B IEEE 1212 Key Identifiers (Informative)	58
Annex C Asynchronous Connections State Machine (Normative)	59
C.1 Producer Data-Transfer State Machine	59
C.2 Consumer Data-Transfer State Machines	66
C.3 State Machine Transitions	72
Annex D Configuration ROM Example (Informative)	76

Figures

Figure 1 Typical NTSC System	1
Figure 2 Equivalent DTV System.....	2
Figure 3 Typical DTV Implementation.....	3
Figure 4 User-Machine Control Loop.....	10
Figure 5 Unit Identifier Descriptor Structure.....	28
Figure 6 Unit Dependent Information.....	30
Figure 7 CEA Unit Info Block.....	30
Figure 8 CEA-775 Plug Info.....	31
Figure 9 CEA-775 DTV Info	34
Figure 10 Alignment data	41
Figure 11 - External Jack Descriptor	45
Figure 12 - Informative Example of External Jack Descriptor.....	46
Figure 13 - Informative Example CEA-775 External Jack Plug Info Block – Input Plug Type.....	47
Figure 14 - CEA-775 External Jack Type Specific Data – Output Plug.....	48
Figure 15 - Informative Example CEA-775 External Jack Plug Info Block – Output Plug Type.....	48
Figure 16 - CEA-775 External Jack Type Specific Data – Input & Output Plug Type.....	49
Figure 17 – Informative Example CEA-775 External Jack Plug Info Block – Input & Output Plug Info (part).....	49
Figure 18 Minimum Descriptor Example (Part).....	52
Figure 19 Producer State Machine.....	60
Figure 20 Consumer State Machine.....	68
Figure 21 Example Configuration ROM	77

Tables

Table 1 Plug Control Register Location	11
Table 2 Subfunction Field Definitions.....	16
Table 3 Supported Commands	18
Table 4 Subfunction Field Definitions.....	19
Table 5 Configuration ROM.....	23
Table 6 IEC_61883 Unit Directory.....	25
Table 7 CEA-775 Unit Directory	25
Table 8 Vendor Directory.....	25
Table 9 CEA-Defined Info Block TypeCode Definition.....	31
Table 10 Transport Stream Format	32
Table 11 CEA_DTV_profile_level Format Coding	35
Table 12 Capability Profiles—General Features	35
Table 13 Capability Profiles—OSD Related Features (part)	36
Table 14 OSD Formats Supported Field Coding (part)	38
Table 15 Miscellaneous Features Field Coding	39
Table 16 Default Video Format Coding	40
Table 17 Example Scan Conversion and OSD Alignment	42
Table 18 Preferred OSD Layout Encoding.....	43
Table 19 External Plug Type Definition.....	43
Table 20 External Jack Type Specific Data—Input Plug	44
Table 21 - External Jack Type Definition	44
Table 22 IEEE 1212Key Identifier Name Equivalents	58
Table 23 Directory Entry Types (Informative) (from IEEE-1212:2001)	77
Table 24 Key Definitions (Informative).....	78

FOREWORD

Users of CEA-775-C should be aware that ongoing standardization work in the 1394 Trade Association may have a future impact on CEA-775-C. CEA has stated its intention to harmonize its standard with those developed within the 1394 Trade Association, and likewise the TA has indicated its willingness to coordinate standards development with CEA.

CEA-775-C supersedes EIA-775-A, CEA-775-A, and CEA-775-B.

(This page intentionally left blank.)

DTV 1394 Interface Specification

1 Scope

CEA-775-C defines mechanisms to allow a source of MPEG service, such as a cable or terrestrial set-top box, digital VCR, or DTV to utilize the MPEG decoding and display capabilities in a DTV. A method is included to allow the OSD Producer to supply bitmap graphic overlays for blending and composition in the DTV over decoded video.

CEA-775-C supports an optional baseband analog audio/video connection between an audio/video source device and the DTV. Mechanisms are provided to allow the source device to control the selection of the audio/video source for display in the DTV between an MPEG service decoded in the DTV and incoming analog audio/video supplied to it via an external input.

Nothing in CEA-775-C is intended to constrain the use of other 1394-based protocols.

1.1 Background

The currently implemented analog audio/video home entertainment cluster consists of various signal sources and various display devices. Possible audio/video sources in this system include a video cassette recorder, a DVD player, and a DBS or cable set top box. In the analog system the audio/video source can overlay its graphical user interface on its output video as shown in Figure 1. This allows the user to control the source based on information shown on the TV display.

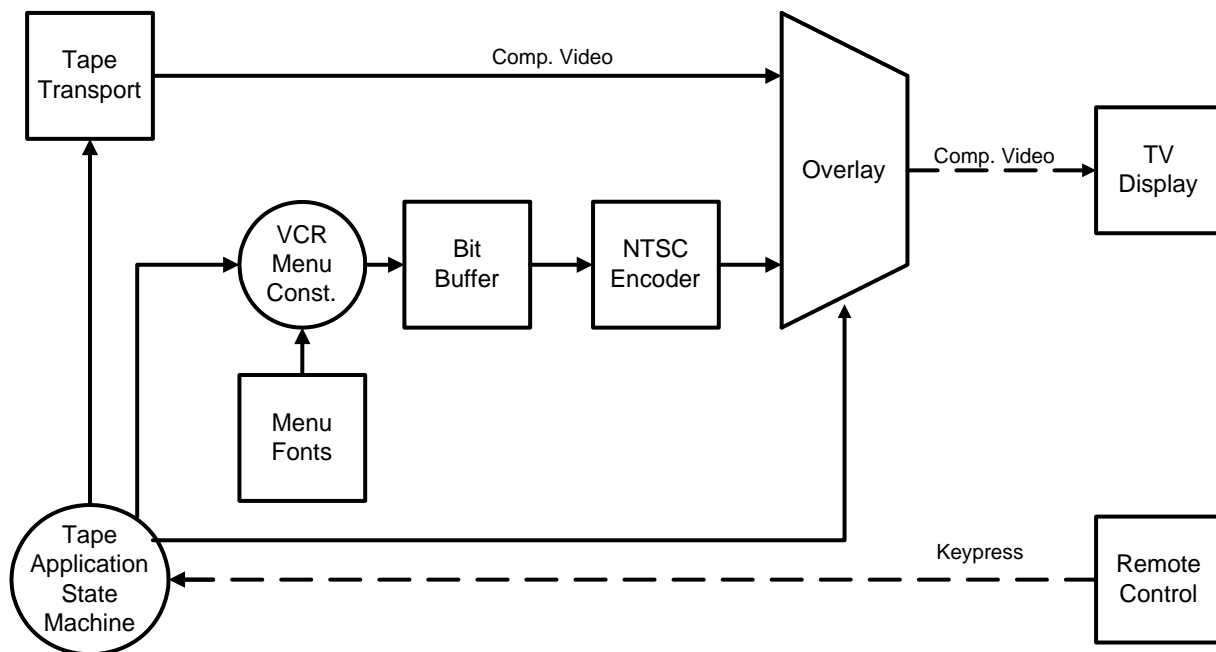


Figure 1 Typical NTSC System

A Digital Television (DTV) system using a similar model is not currently practical. Figure 2 shows an example of what would be required. The process of decoding the original bitstream to include the GUI overlay and then re-encoding for transmission to the DTV adds significant complexity and usually degrades picture quality.